

# PORCHER®

## DOMAINE PRESSURE BALANCE TEMPERATURE CONTROL VALVE

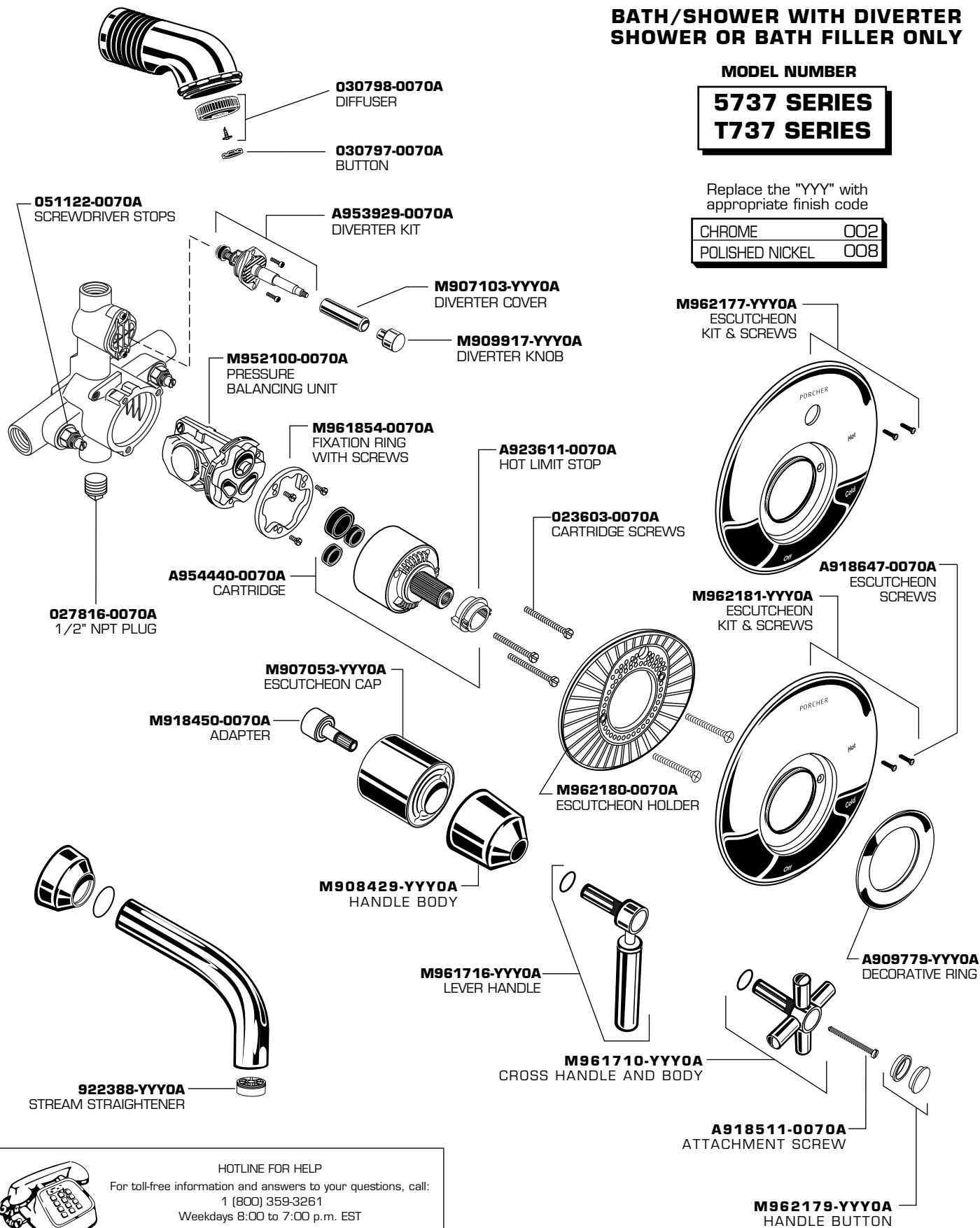
**BATH/SHOWER WITH DIVERTER  
SHOWER OR BATH FILLER ONLY**

MODEL NUMBER

**5737 SERIES  
T737 SERIES**

Replace the "YYY" with  
appropriate finish code

CHROME	002
POLISHED NICKEL	008



**HOTLINE FOR HELP**

For toll-free information and answers to your questions, call:

1 (800) 359-3261

Weekdays 8:00 to 7:00 p.m. EST

IN CANADA 480-961-5353

Product names listed herein are trademarks of Porcher, Ltd.  
©Porcher, Ltd. 2002

M968225A